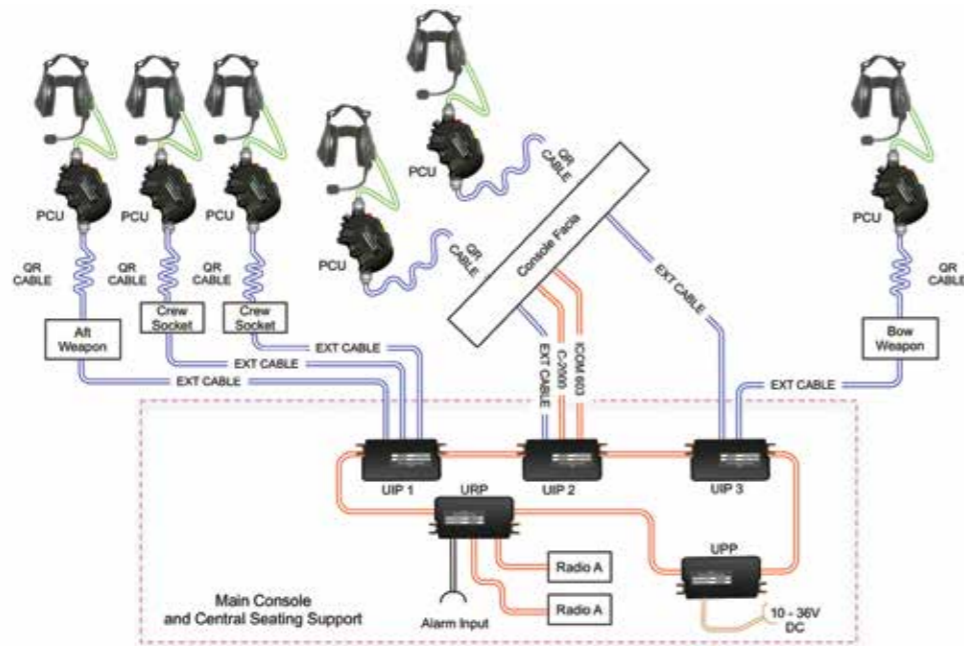
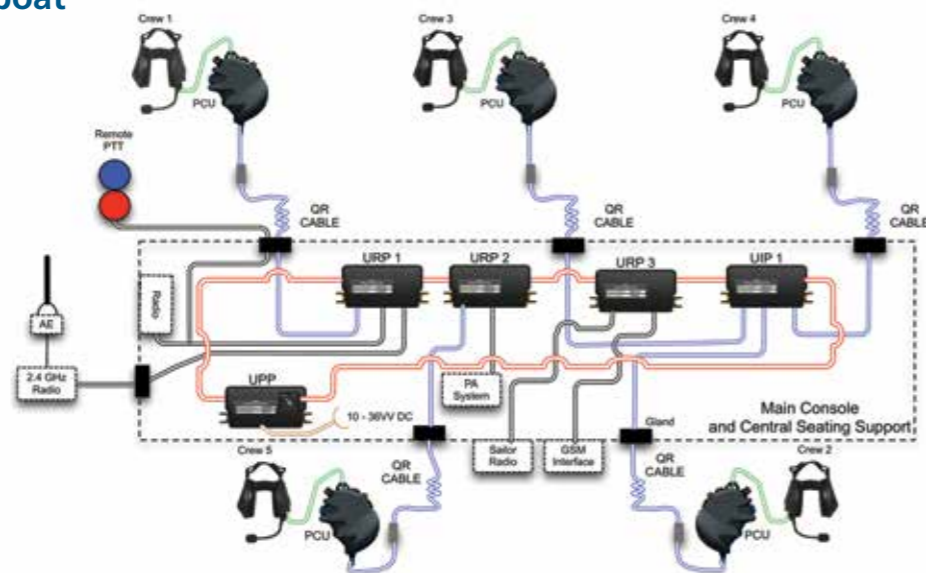


**SYSTEM CONFIGURATION EXAMPLES**

**Rigid Inflatable Boat (RIB)**



**Patrol/Lifeboat**



**The ImP MV IP Mobile Platform - Command and Control System**

**Maritime Variant**



Clear communication in hostile environments has never been more important and the challenges never greater. Whether on the open sea or in high speed river operations, the need for clear, reliable, robust communications is critical for mission safety and success.

The ImP - MV is a maritime platform command and control system, that has been designed with exactly these challenges in mind, ensuring clear communication no matter what the environment. ImP provides intercom, radio control and a common core platform for data distribution around the boat.

**ImP addresses many of the conventional maritime intercoms shortcomings by providing:**

- High quality communications in the open boat environment
- Total control over the communications environment
- Software defined and programmable
- Integration of intercom, radio and high speed data transfer
- Bluetooth/smart mobile phone interface
- No master control unit means control is on the 'man'
- Ease of use and installation
- Simplified training and maintenance
- Flexible and modular configuration options

For more information, please visit our website [www.savox.com](http://www.savox.com)

**OPERATION**

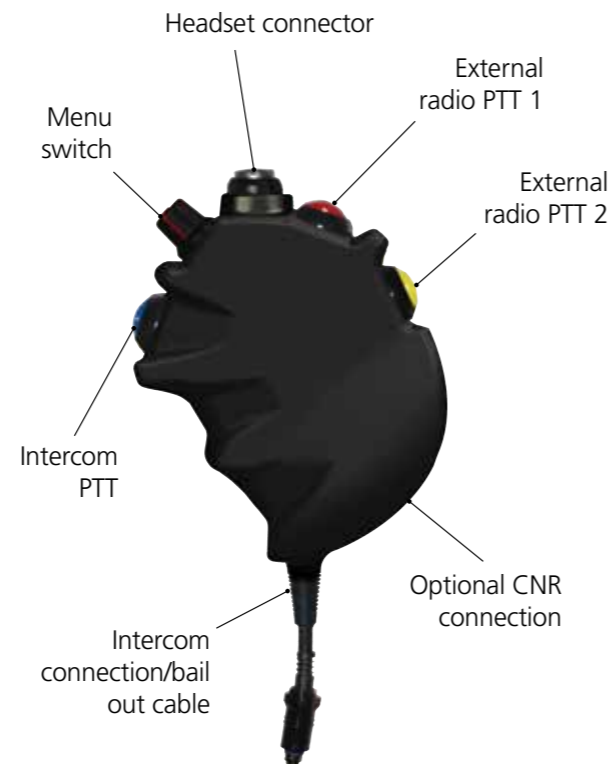
**At the core of ImP is a digital, 100Mb Ethernet backbone. This data highway provides high capacity voice and data distribution using Ethernet protocols. It allows integration with navigation aids, engine management systems and video data which can be distributed to key user positions for complete command and control of the vessel.**

- ImP features a man wearable Personal Control Unit (PCU) making the 'man' the communication interface, not the platform. The PCU allows the operator to take control over their voice communications environment with simple and intuitive controls aided by voice prompts, which can also be programmed into indigenous languages.
- Each user has instant access to two radio PTT's and is able to operate multiple radios via simple and easy to use menu's. The PCU can be operated with one hand whilst wearing gloves and whilst traveling at high speeds in rough sea states.
- The ImP has an adaptive VOX algorithm allowing high quality voice operated communication on open boats whilst traveling at high speeds on open seas. All system sub-assemblies are small and ergonomic in design ensuring installation can be completed behind vessel bulkheads or transoms, with minimal impact on crew space.
- Configurable and scalable (it can be configured for small crews or large vessels ), ImP is user configurable and has no system master, meaning easy and quick set up. ImP can be connected either serially or using ring topology to provide a more robust and resilient installation.

**TECHNICAL SPECIFICATIONS**

- Maximum number of users/radios: 500
- Operating Temperature -44°C to +77°C
- Ingress protection to IP67
- Standards: CE Electrical  
Mil Std 461 EMC  
Mil Std 810E
- Low power consumption - 12-28 VDC

**PERSONAL COMMUNICATIONS UNIT**



**TYPICAL HEADSET OPTIONS**



Photo by Richard Scott

**FEATURES**

- Accommodates intercom, radio and high speed data in one system
  - Intercom - Voice operated or PTT operation
  - Multiple radio interface and connection
  - Bluetooth/smart mobile telephone interface
- Designed for maritime operation
- 100Mb Ethernet backbone for high speed data transmission and integration with IT based solutions
- No Master Control Unit
- Rugged, lightweight, easy to use with flexible configuration options
- Indigenous language voice prompts
- Compact and easy to install
- Remote configuration and programming
- Extended wireless audio/data interface
- Can be integrated to other marine systems such as engine management, navigation or video systems
- User interface is identical to the land variant
- Ability to interconnect systems via Data link (Cable/ Radio)
- Suitable for small and large marine platforms
- IP68 Handsfree Duplex Wireless solution available for intercom access
- Wireless Audio
- Selectable intercom groups/radio exclusions



Courtesy of STS Defence

*Please turn over for system configuration examples.*

*The iPhone and iPad are registered trade marks of Apple Inc.*