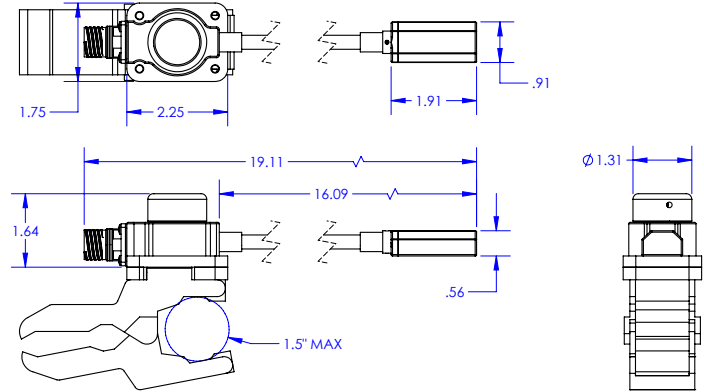


EMERGENCY MEDICAL GOOSENECK LIGHT



OVERVIEW

Blue Wolf's Emergency Gooseneck Light is designed for interior cabin illumination or for cargo bay lighting where there is a need for EMS medical crew examination lighting. Having a sturdy "Clamp on fixture" this light utilizes three very bright white LED's with a CRI of 92, a 120 lumen LED output, and a focused 18° beam. This Heavy Duty light has 0 to 100% dimming control with full tactile feedback on the dimming knob, over voltage protection, reverse polarity protection, and a "constant light output" during any voltage swing from 18 to 34Vdc for those systems that experience high load demands or voltage fluctuations from the power system.

This Light looks sleek in design while utilizing minimum mounting space with its small profile. It's perfect for any cockpit, boating, ground vehicle, cargo bay area, military land vehicle, or tank that requires unique white LED lighting.

DESCRIPTION

Technical Data

- Voltage: 28 Vdc
- Current: 100 mA@28Vdc
- Operating Temp: -40° to 122° F
- Mass: 15.3 oz.
- MIL-DTL D38999/20 connector
- Material: Anodized black 6061-T6 Aluminum
- DOD-160 section 8 compliant
- MIL-STD-810G Tested
- IP67 water rated

Operating Features

- Flexible positioning -14" neck
- Transient, overvoltage, and reverse polarity protection
- Low heat output - (LED light)
- Designed and Manufactured in the USA



QUICK SPECS

- 40K Hour Life Span
- 28 Volt DC low power
- IP 67 Water Rated
- 92 CRI
- Three 18° LED Beams
- Sturdy Clamp Fixture
- Customization available upon request

NVIS White color option allows for easy viewing without "greening out" important indication colors such as "reds" and "yellows"

APPLICATIONS



PART NUMBER:
● BW-A225-WHITE

CAGE CODE: #6PQC4
DUNS: 02-668-1220

BLUE WOLF
LED LIGHTING

DESIGN
ENGINEERING
PROTOTYPES

9179 W. State St.
Garden City, ID 83714
208-629-5222

info@bluewolfinc.com
www.bluewolfinc.com